

Poulan PRO[®]

Parts Manual

MODEL
30IZX / 966681701

Please read the operator's manual carefully and make sure you understand the instructions before using the machine.

When you need spare parts or support in service questions, warranty issues, etc., please consult the following professional:

This Parts Manual belongs to the machine with the manufacturing number:	Engine	Transmission

Manufacturing Number

The machine’s manufacturing number can be found on the printed plate affixed to the engine compartment. Illustration shown with engine removed.

Stated on the plate, from the top are:

- The machine’s type designation (I.D.).
- The manufacturer’s type number (Model).
- The machine’s serial number (Serial no.)

Please have the type designation and serial number available when ordering spare parts.

The engine’s manufacturing number is stamped on one of the valve covers.

The plate states:

- The engine’s model.
- The engine’s type.
- Code

Please have these available when ordering spare parts.

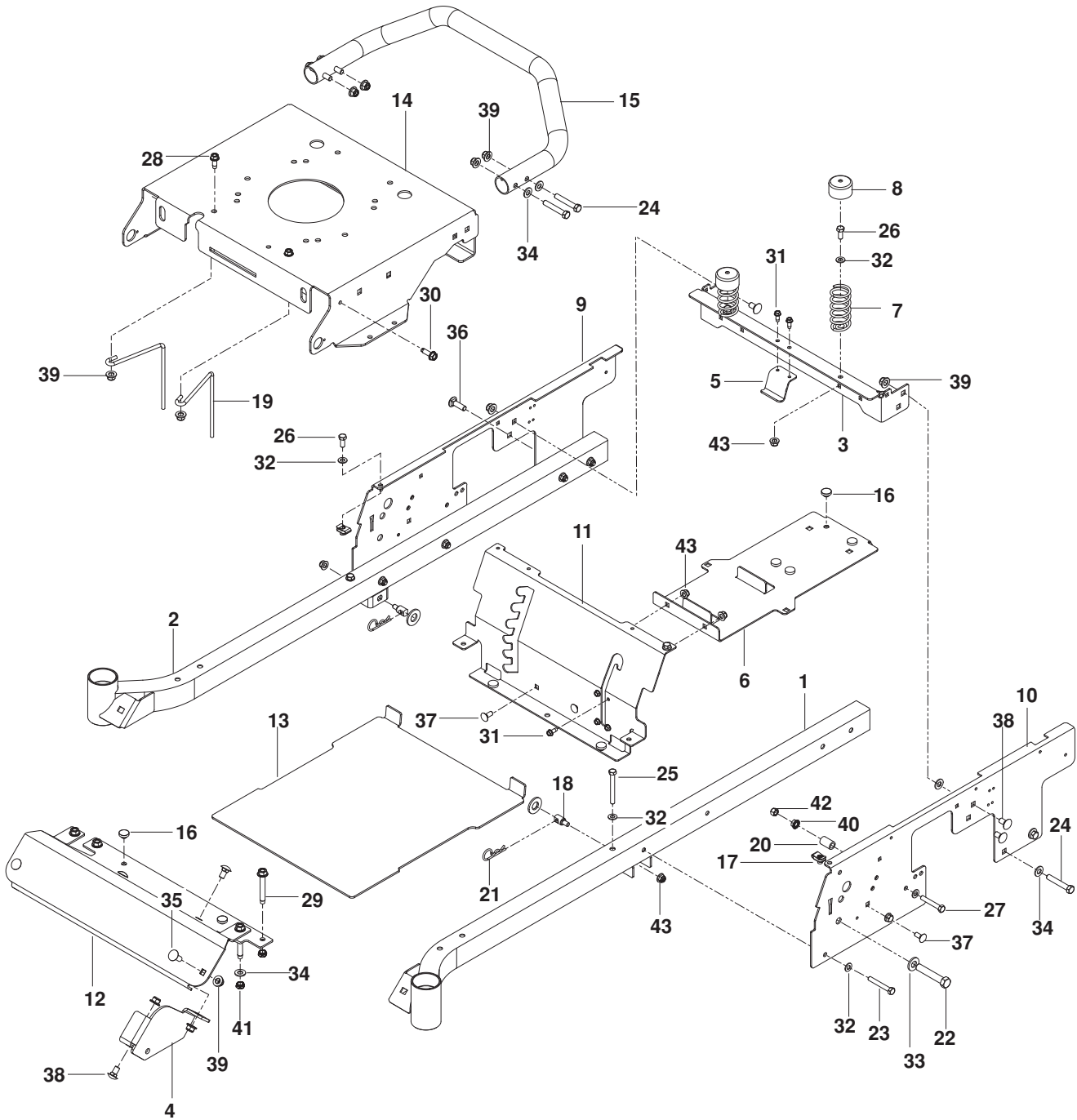
The wheel motors and hydrostatic pumps have a barcode decal affixed at the rear.

CONTENTS

FRAME.....	4
ENGINE PLATE.....	6
STEERING	8
IGNITION SYSTEM.....	10
HYDRAULIC PUMP / MOTOR	12
WHEELS / TIRES	14
BRAKE / DECK LIFT	16
MOWER DECK / CUTTING DECK.....	18
SEAT	20
DECALS.....	22

NOTE: ALL FASTENERS ARE GRADE 5 UNLESS OTHERWISE SPECIFIED.

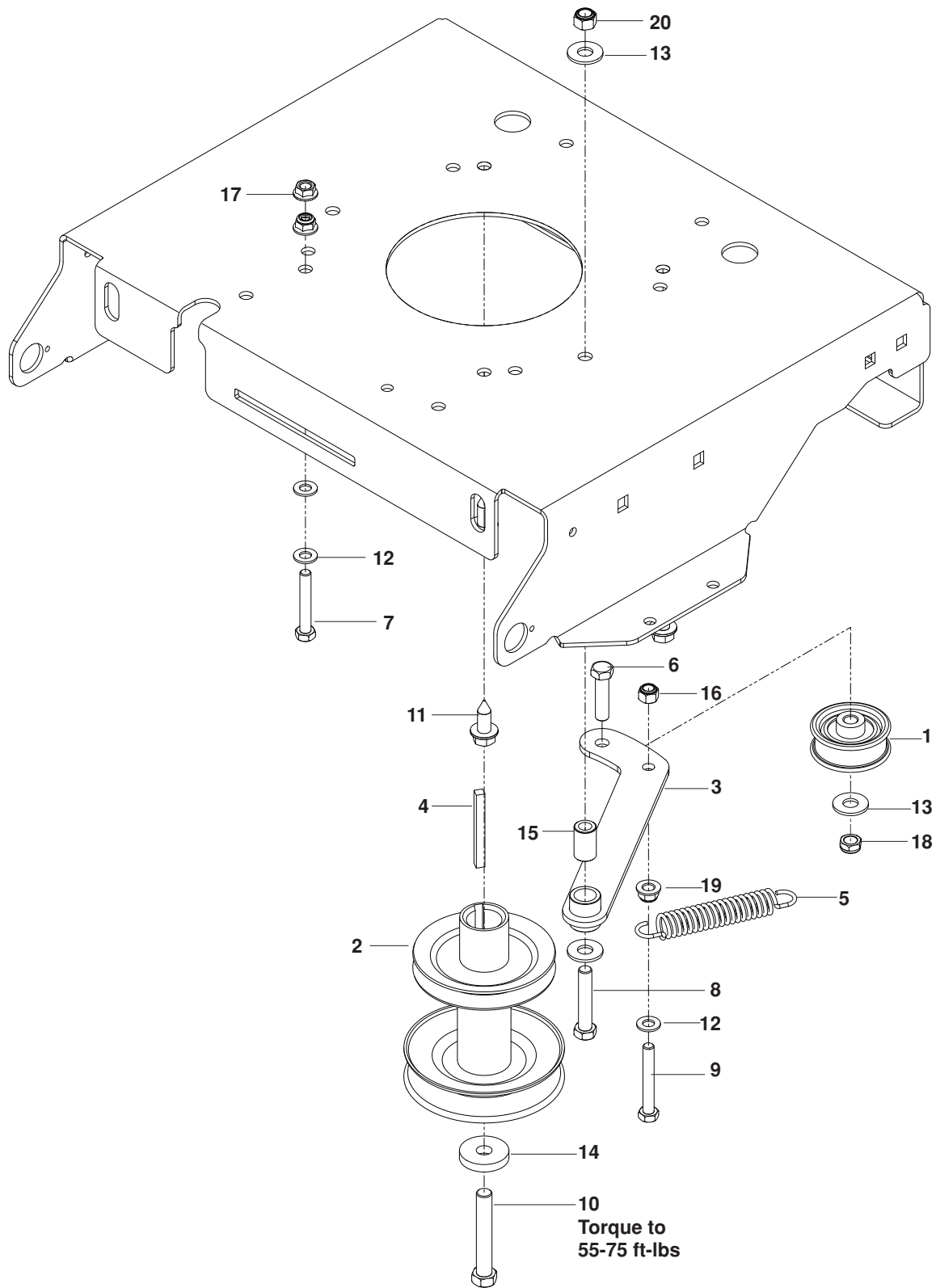
FRAME



FRAME

ITEM	PART NO.	QTY.	DESCRIPTION	ITEM	PART NO.	QTY.	DESCRIPTION
1..	525 454704....	1 FRAME TUBE, LH YLW	23..	539 976938....	4 HCS $\frac{5}{16}$ -18 x 2 $\frac{1}{4}$
2..	525 454904....	1 FRAME TUBE, RH YLW	24..	539 990629....	8 HCS $\frac{3}{8}$ -16 x 2 $\frac{1}{4}$
3..	525 464605....	1 SUPPORT, REAR SEAT YLW	25..	539 101721....	2 HCS $\frac{5}{16}$ -18 x 2 $\frac{3}{4}$
4..	525 605502....	1 BRACKET, FRONT DECK BLK	26..	539 976934....	2 HCS $\frac{5}{16}$ -18 x $\frac{3}{4}$
5..	525 864502....	1 BRACKET, FUEL TANK BLK	27..	539 976937....	2 HCS $\frac{5}{16}$ -18 x 2
6..	525 798402....	1 SUPPORT, TANK BLK	28..	539 107476....	2 BOLT $\frac{3}{8}$ -16 x 1 THD FRM
7..	539 122632....	2 SPRING, SEAT	29..	539 111976....	4 BOLT $\frac{3}{8}$ -16 x 2 $\frac{5}{8}$ THD FRM
8..	539 119884....	2 CAP, SPRING	30..	539 990369....	2 BOLT $\frac{5}{16}$ -18 x 1 THD FRM
9..	575 328404....	1 PLATE, LH YLW	31..	539 990362....	6 SCREW $\frac{1}{4}$ -20 x $\frac{5}{8}$ SLF TAP
10..	575 328304....	1 PLATE, RH YLW	32..	539 990188..	12 WASHER $\frac{5}{16}$ SAE FLAT
11..	575 852105....	1 PANEL, SEAT SUPPORT YLW	33..	539 990250....	6 WASHER $\frac{1}{2}$ SAE
12..	522 740710....	1 FOOT REST YLW	34..	539 990122....	6 WASHER $\frac{3}{8}$ SAE FLT
13..	576 452404....	1 FOOT PLATE w/DECALS YLW	35..	539 990645....	2 RHSNB $\frac{3}{8}$ -16 x 1
14..	525 462609....	1 PLATE, ENGINE YLW	36..	539 100413....	1 RHSNB $\frac{3}{8}$ -16 x 1 $\frac{1}{4}$
15..	525 865905....	1 BAR, IMPACT YLW	37..	539 990316....	4 RHSNB $\frac{5}{16}$ -18 x $\frac{3}{4}$
16..	539 102587....	8 GROMMET, BUMPER	38..	539 111785....	6 RHSNB $\frac{3}{8}$ -16 x $\frac{3}{4}$
17..	539 104763....	4 RETAINER, U TYPE	39..	521 996501..	14 NUT $\frac{3}{8}$ -16 FLANGE NYLOC
18..	532 195161....	2 STUD w/ ANTI-ROTATE	40..	539 990585....	4 NUT $\frac{5}{16}$ -18 HEX WHIZLK
19..	574 172901....	2 GUIDE, BELT	41..	539 200282....	4 NUT $\frac{3}{8}$ -16 HEX JAM NYLOC
20..	539 119087....	2 BUSHING	42..	539 990717....	8 NUT $\frac{5}{16}$ -18 HEX NYLOC
21..	539 976989....	2 HAIRPIN	43..	539 112899..	14 NUT $\frac{5}{16}$ -18 FLANGE NYLOC
22..	539 101332....	2 HCS $\frac{1}{2}$ -13 x 2 $\frac{3}{4}$				

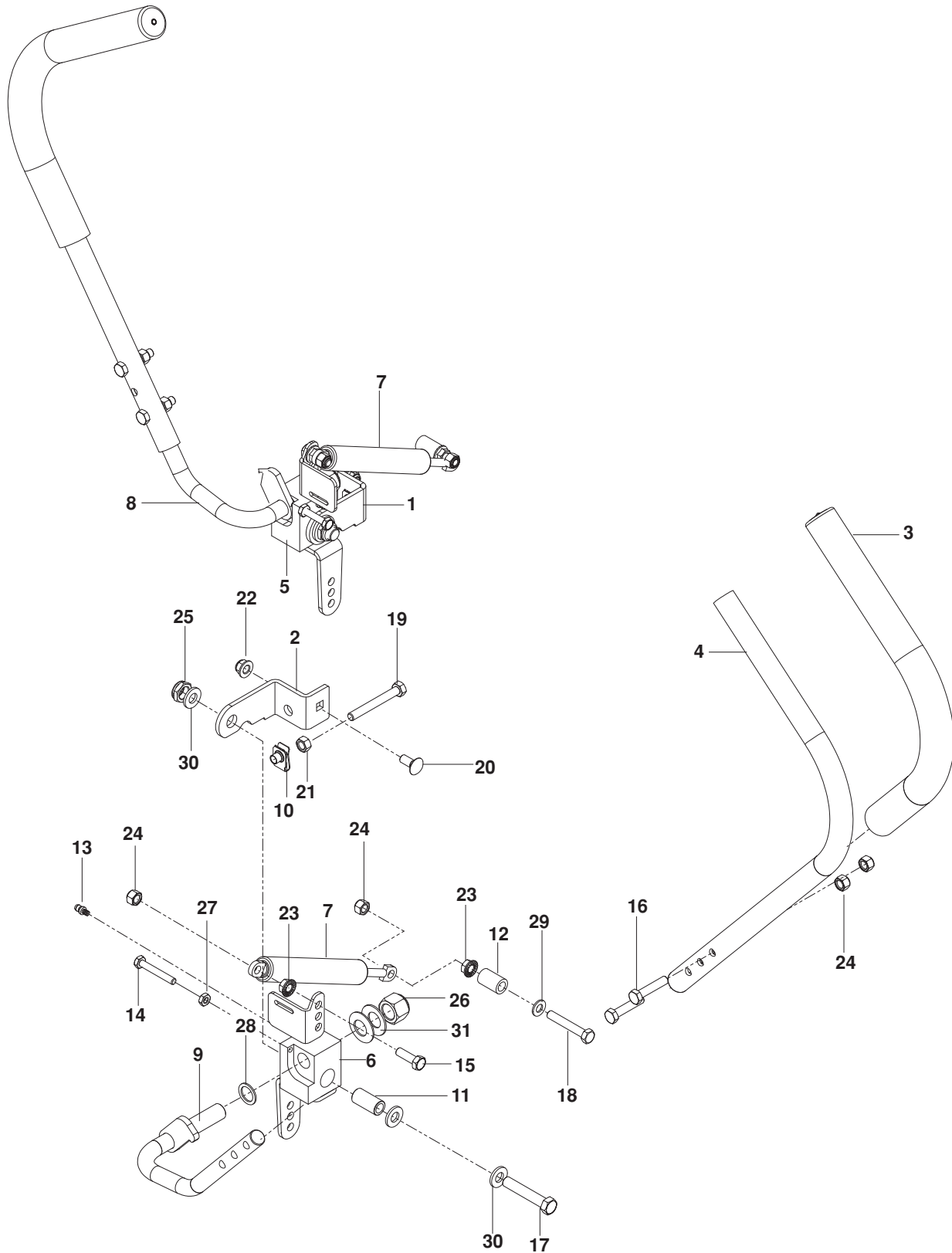
ENGINE PLATE



ENGINE PLATE

ITEM	PART NO.	QTY.	DESCRIPTION	ITEM	PART NO.	QTY.	DESCRIPTION
1..	539 120812....	1PULLEY, IDLER	11..	532 120616....	3 SCREW $\frac{3}{8}$ -16 x 1 THD FRM
2..	574 872801....	1PULLEY, ENGINE	12..	539 990188....	3 WASHER $\frac{5}{16}$ SAE FLAT
3..	539 120990....	1 IDLER, BLK	13..	539 990517....	3 WASHER $\frac{3}{8}$ FLAT STD
4..	539 917033....	1KEY $\frac{1}{4}$ SQ x $2\frac{1}{2}$	14..	539 115546....	1WASHER
5..	539 116350....	1 SPRING $3\frac{1}{2}$	15..	539 115270....	1 BUSHING, METAL
6..	539 990655....	1HCS $\frac{3}{8}$ -16 x $1\frac{1}{2}$	16..	539 990717....	1 NUT $\frac{5}{16}$ -18 HEX NYLOC
7..	539 976937....	1HCS $\frac{5}{16}$ -18 x 2	17..	539 990585....	1 NUT $\frac{5}{16}$ -18 HEX WHIZLK
8..	539 990588....	1HCS $\frac{3}{8}$ -16 x 2	18..	539 200282....	1 NUT $\frac{3}{8}$ -16 HEX JAM NYLOC
9..	539 976938....	1HCS $\frac{5}{16}$ -18 x $2\frac{1}{4}$	19..	539 112899....	2 NUT $\frac{5}{16}$ -18 FLANGE NYLOC
10..	539 110065....	1HCS $\frac{7}{16}$ -20 x $2\frac{3}{4}$	20..	539 976979....	1 NUT $\frac{3}{8}$ -16 HEX NYLOC

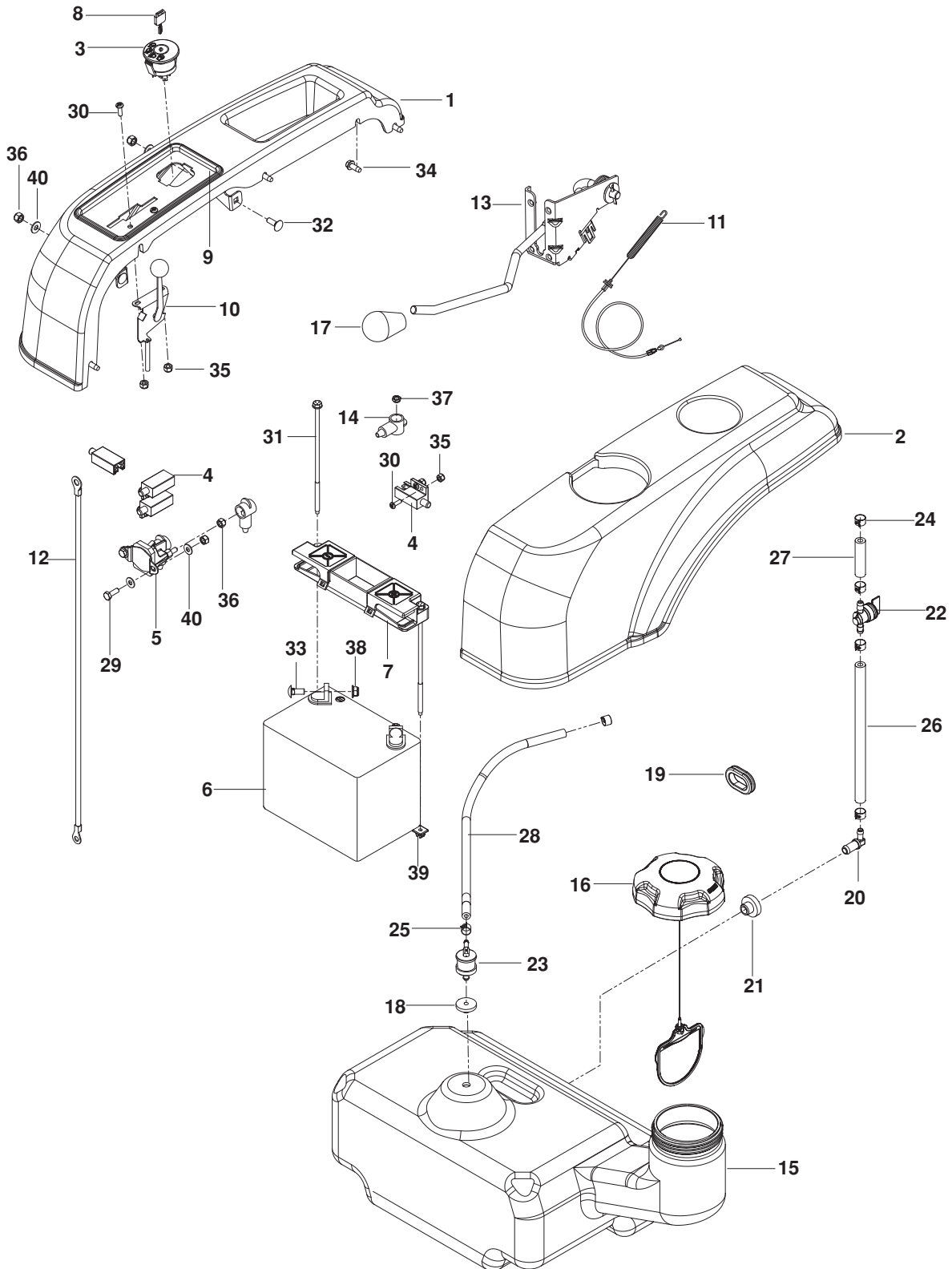
STEERING



STEERING

ITEM	PART NO.	QTY.	DESCRIPTION	ITEM	PART NO.	QTY.	DESCRIPTION
1..	539 117949....	1 STOP, STEER CNTRL RH	17..	539 101332....	2 HCS 1/2-13 x 2 3/4
2..	539 117950....	1 STOP, STEER CNTRL LH	18..	539 976937....	2 HCS 5/16-18 x 2
3..	539 120899....	2 GRIP	19..	539 108396....	2 HCS 5/16-18 x 2 1/2
4..	539 120160....	2 LEVER, UPPER	20..	539 990316....	2 RHSNB 5/16-18 x 3/4
5..	539 120984....	1 PIVOT, RH	21..	539 990196....	2 NUT 5/16-18 HEX
6..	539 120983....	1 PIVOT, LH	22..	539 112899....	2 NUT 5/16-18 FLG HEX NYLOC
7..	539 114453....	2 DAMPENER	23..	539 990585....	4 NUT 5/16-18 HEX WHIZLK
8..	539 120159....	1 LOWER LEVER, RH	24..	539 990717....	4 NUT 5/16-18 HEX NYLOC
9..	539 120162....	1 LOWER LEVER, LH	25..	539 108010....	2 NUT 1/2-13 JAM NYLOC GR 2
10..	539 104763....	2 RETAINER, U TYPE	26..	539 110340....	2 NUT 5/8-11 NYLOC
11..	539 120956....	2 BUSHING 1/2 ID x 3/4 OD	27..	539 991112....	2 NUT 1/4-20 JAM
12..	539 119087....	2 BUSHING	28..	539 115570....	2 WASHER, SPECIAL
13..	539 115638....	2 ZERK	29..	539 990188....	2 WASHER 5/16 SAE FLT
14..	539 991003....	2 HCS 1/4-20 x 1 3/4	30..	539 990250....	6 WASHER 1/2 SAE
15..	539 990209....	2 HCS 5/16-18 x 1	31..	539 911121....	4 WASHER 5/8 BELLEVILLE
16..	539 976935....	4 HCS 5/16-18 x 1 1/2				

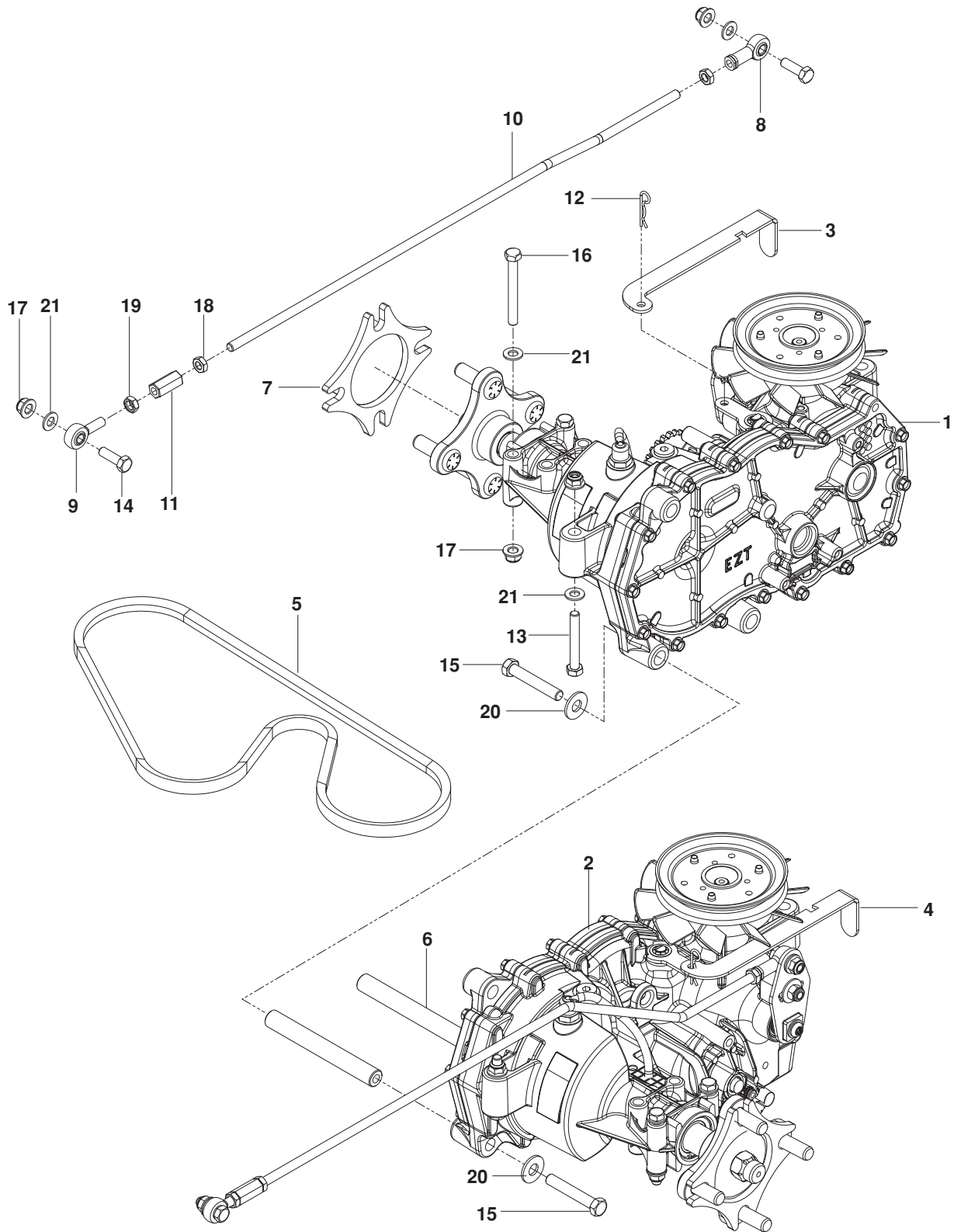
IGNITION SYSTEM



IGNITION SYSTEM

ITEM	PART NO.	QTY.	DESCRIPTION	ITEM	PART NO.	QTY.	DESCRIPTION
1..	539 120193....	1	FENDER, RH	24..	539 912222....	4	CLAMP, HOSE
2..	539 120192....	1	FENDER, LH	25..	575 436501....	2	CLAMP, HOSE
3..	539 107541....	1	SWITCH, IGNITION	26..	539 115736....	1	HOSE 1/4 x 8
4..	539 101080....	4	SWITCH	27..	539 121486....	1	HOSE, 1/4 x 2
5..	539 101714....	1	SOLENOID	28..	574 521305....	1	HOSE, FUEL, 3/16" x 20"
6..	539 102436....	1	BATTERY	29..	539 990580....	2	HCS 1/4-20 x 3/4
7..	539 107628....	1	HOLD DOWN, BATTERY	30..	539 976952....	8	SCREW #10-24 x 5/8
8..	539 107544....	1	KEY, IGNITION	31..	539 107632....	2	BOLT 1/4 x 7 1/2
9..	525 598601....	1	PANEL, CONTROLS	32..	539 990074....	2	RHSNB 1/4-20 x 3/4 GR2
10..	522 730101....	1	CABLE, THROTTLE	33..	539 990316....	2	RHSNB 5/16-18 x 3/4
11..	532 193235....	1	CABLE, CLUTCH	34..	539 990362....	9	SCREW 1/4-20 x 5/8 SLF TAP
12..	539 110068....	1	BATTERY CABLE, NEGATIVE	35..	539 976977....	8	NUT #10-24 HEX NYLOC
13..	575 661501....	1	CLUTCH ASSY w/ CABLE	36..	539 976978....	4	NUT 1/4-20 HEX NYLOC
14..	539 116400....	3	TERMINAL COVER	37..	539 108120....	1	NUT 1/4-20 HEX THIN NYLOC
15..	576 369501....	1	TANK, FUEL	38..	539 112899....	2	NUT 5/16-18 HEX FLG NYLOC
16..	575 018101....	1	CAP, FUEL w/ TETHER	39..	539 107629....	2	NUT 1/4 PUSH NYLON
17..	539 132624....	1	KNOB, CLUTCH	40..	539 990055....	4	WASHER 1/4 FLAT SAE
18..	576 618201....	1	GROMMET, CHECK VALVE	NOT SHOWN			
19..	539 105974....	1	GROMMET, RUBBER	539 104974	1	CABLE, POSITIVE	
20..	539 110432....	1	ELBOW	539 103306	1	CABLE, POSITIVE LONG	
21..	539 105245....	1	FITTING, TANK	525 744301	1	WIRING HARNESS	
22..	539 916325....	1	VALVE, FUEL	539 110290	2	FOAM STRIP, TANK	
23..	576 618101....	1	VALVE, FUEL CHECK				

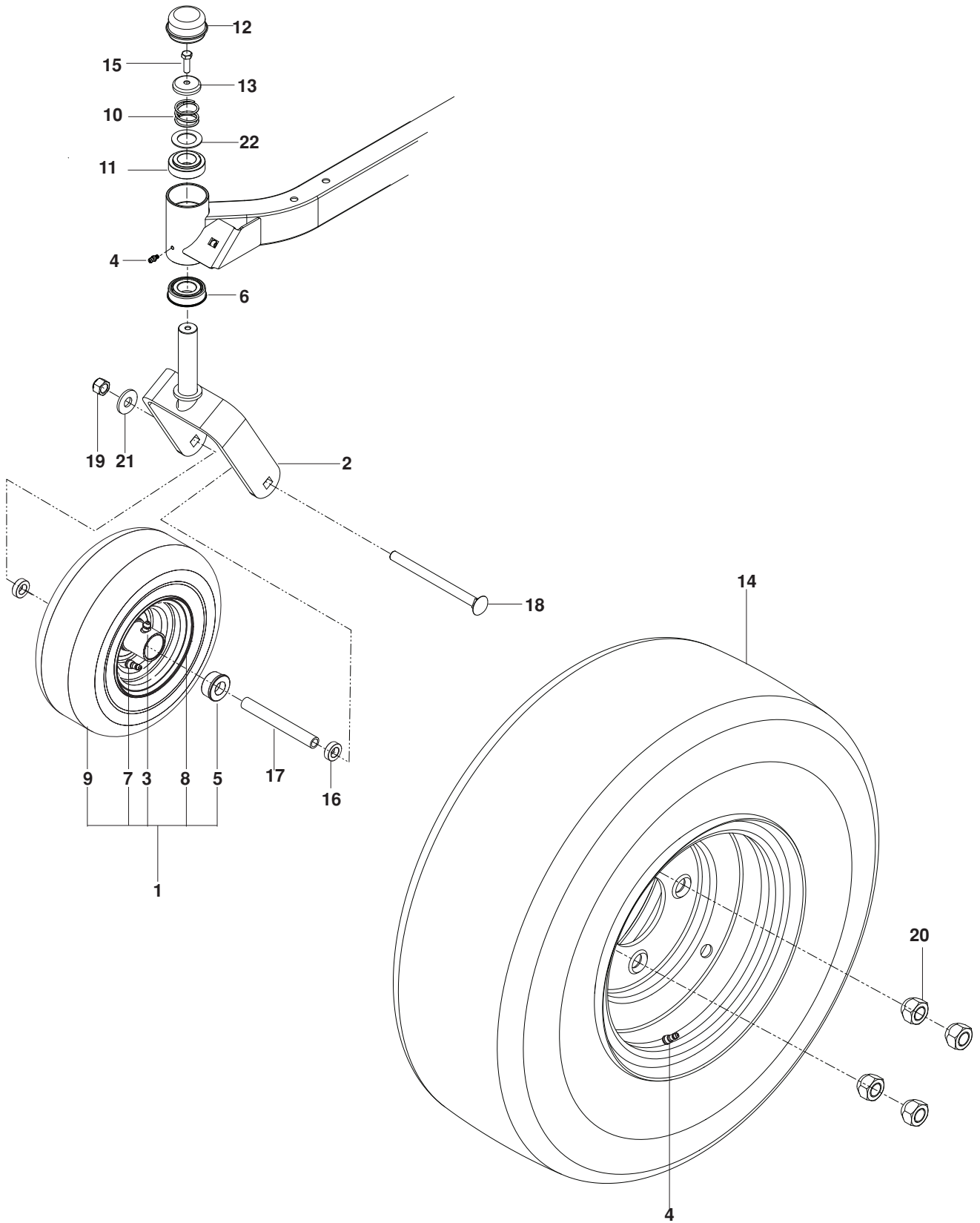
HYDRAULIC PUMP / MOTOR



HYDRAULIC PUMP / MOTOR

ITEM	PART NO.	QTY.	DESCRIPTION	ITEM	PART NO.	QTY.	DESCRIPTION
1..	539 120152....1	HYDRO, RH	12..	539 976988....2	HAIRPIN COTTER
2..	539 120153....1	HYDRO, LH	13..	539 976938....2	HCS $\frac{5}{16}$ -18 x $2\frac{1}{4}$
3..	539 120157....1	RELEASE HANDLE, RH	14..	539 990209....4	HCS $\frac{5}{16}$ -18 x 1
4..	539 120156....1	RELEASE HANDLE, LH	15..	539 990629....4	HCS $\frac{3}{8}$ -16 x $2\frac{1}{4}$
5..	539 120806....1	BELT, EZT	16..	539 101721....4	HCS $\frac{5}{16}$ -18 x $2\frac{3}{4}$
6..	539 120154....2	SPACER, HYDRO	17..	539 112899..10	NUT $\frac{5}{16}$ -18 FLANGE NYLOC
7..	539 114804....2	SPACER, WHEEL	18..	539 115502....4	NUT $\frac{5}{16}$ -24 HEX JAM
8..	539 115729....2	ROD END, RH	19..	539 991073....2	NUT $\frac{5}{16}$ -24 HEX JAM LH
9..	539 116690....2	ROD END, MALE LH	20..	539 990517....4	WASHER $\frac{3}{8}$ FLAT STD
10..	539 120169....2	ROD, CONTROL	21..	539 990188..10	WASHER $\frac{5}{16}$ SAE FLAT
11..	539 116689....2	ROD END COUPLER				

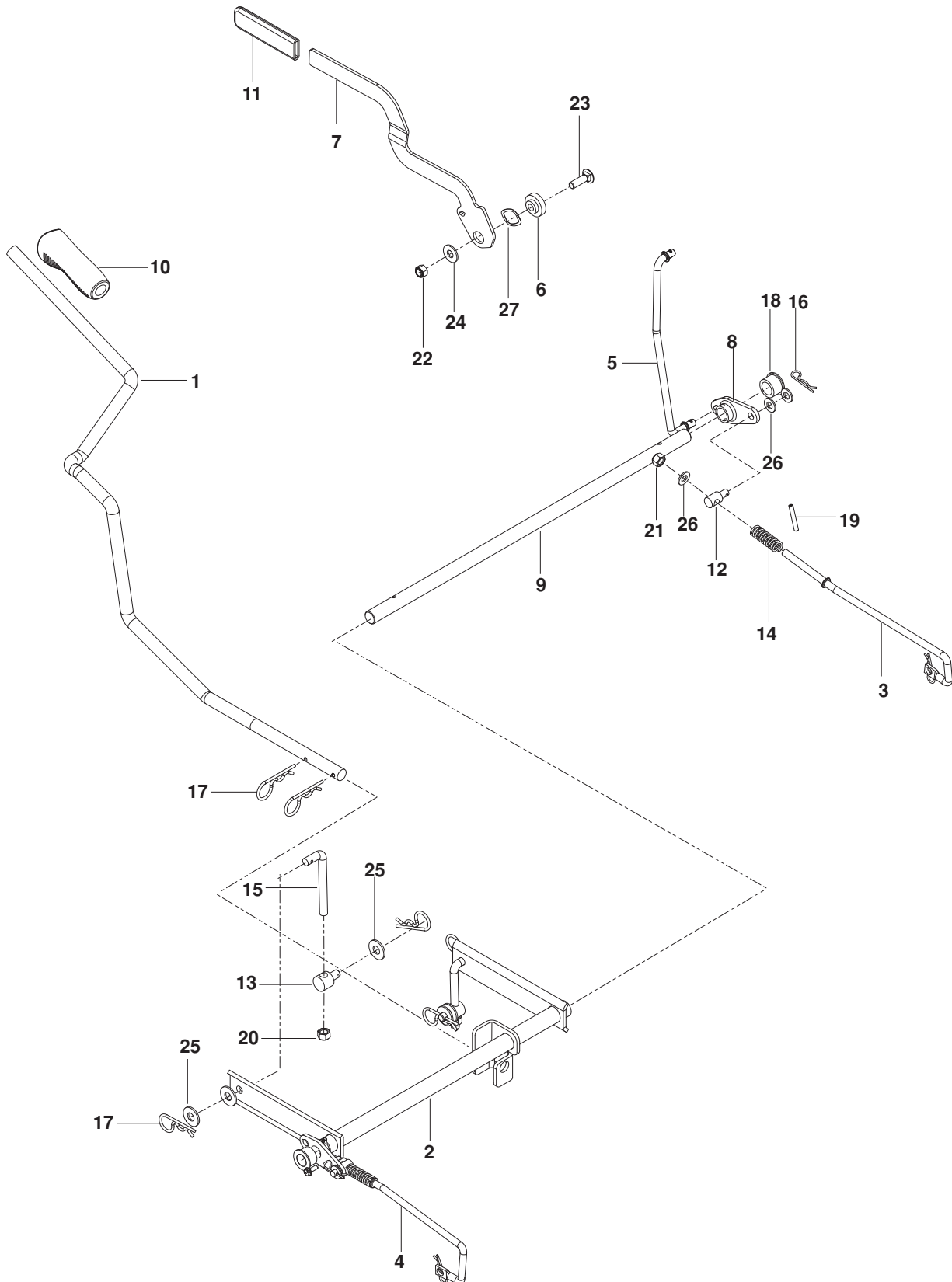
WHEELS / TIRES



WHEELS / TIRES

ITEM	PART NO.	QTY.	DESCRIPTION	ITEM	PART NO.	QTY.	DESCRIPTION
1..	575 812201....	2 CASTER TIRE ASSY	12..	539 102535....	2 CAP, GREASE
2..	510 186504....	2 YOKE, CASTER YLW	13..	539 115749....	2 PLUG, CASTER
3..	539 103300....	2 ZERK, ANGLED	14..	575 812401....	2 WHEEL ASSY REAR
4..	539 115638....	2 ZERK	15..	539 115566....	2 BOLT, HEX ⁵ / ₁₆ -18 x 1 NYLOC
5..	576 617801....	4 BUSHING, WHEEL	16..	539 114805....	4 SPACER ⁵ / ₁₆
6..	539 112660....	2 BEARING, FLANGED	17..	539 105543....	2 SPACER
7..	539 912234....	4 VALVE	18..	539 121159....	2 RHSNB ¹ / ₂ -13 x 6 ¹ / ₂
8..	575 812301....	2 RIM	19..	539 200100....	2 NUT ¹ / ₂ HEX CNTRLK
9..	539 114697....	2 TIRE, 410-5 4 PLY	20..	539 101173....	8 NUT ¹ / ₂ -20 LUG
10..	539 115747....	2 SPRING, CASTER	21..	539 109554....	2 WASHER ¹ / ₂ FLAT
11..	539 117901....	2 BUSHING, CASTER	22..	539 115675....	2 WASHER

BRAKE / DECK LIFT



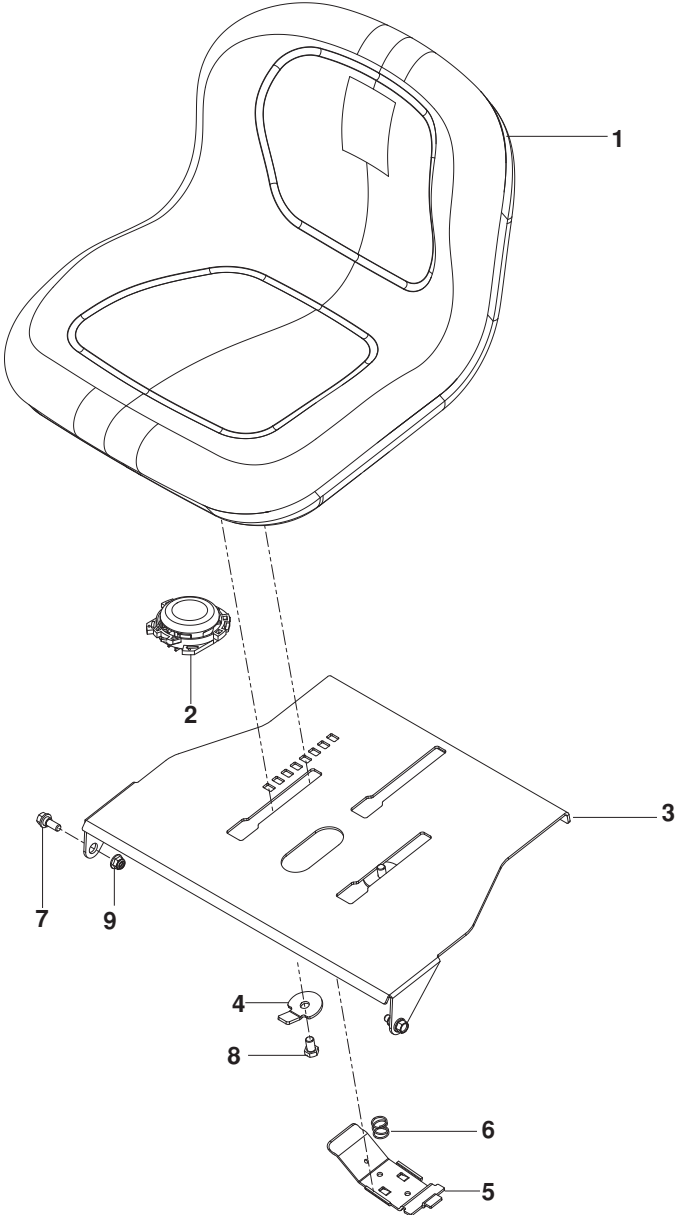
BRAKE / DECK LIFT

ITEM	PART NO.	QTY.	DESCRIPTION	ITEM	PART NO.	QTY.	DESCRIPTION
1..	525 580402...	1 HANDLE, LIFT BLK	15..	539 115658....	2 L-ROD 3½"
2..	525 580604...	1 SHAFT, LIFT BLK	16..	539 976988....	4 HAIRPIN COTTER
3..	525 583601...	1 LINKAGE, BRAKE RT	17..	539 976989....	6 HAIRPIN
4..	525 583701...	1 LINKAGE, BRAKE LT	18..	539 109368....	2 BUSHING, PLASTIC
5..	525 735701...	1 LINKAGE, UPPER	19..	539 101082....	2 PIN 3/16 x 1¼ ROLL
6..	539 120220....	1 PIVOT, BRAKE ARM	20..	539 976979....	3 NUT 3/8-16 HEX NYLOC
7..	525 485602....	1 HANDLE, BRAKE	21..	539 990717....	2 NUT 5/16-18 HEX NYLOC
8..	525 580201...	2 BELLCRANK, BRAKE	22..	539 200282....	1 NUT 3/8-16 HEX JAM NYLOC
9..	525 580301...	1 ROD, BRAKE	23..	539 100413....	1 RHSNB 3/8-16 x 1¼
10..	532 196492....	1 GRIP, LIFT HANDLE	24..	539 102843....	1 WASHER 7/16 SPRING DISK
11..	539 120921....	1 GRIP, BRAKE HANDLE	25..	539 990517....	6 WASHER 3/8 FLAT STD
12..	539 112308....	2 SWIVEL, BRAKE	26..	539 990188....	6 WASHER 5/16 SAE FLAT
13..	539 118179....	2 SWIVEL	27..	539 133007....	1 WASHER, .825 WAVE
14..	539 101224....	2 SPRING				

MOWER DECK / CUTTING DECK

ITEM	PART NO.	QTY.	DESCRIPTION	ITEM	PART NO.	QTY.	DESCRIPTION
1..	574 453403....	1 DECK w/ SFTY DECALS BLK	27..	532 415598....	1 WASHOUT PORT
2..	574 173002....	1 BELT, DECK	28..	539 976988....	1 HAIRPIN COTTER
3..	532 419274....	1 BLADE, MOWER/MULCH	29..	539 976989....	2 HAIRPIN
4..	532 199791....	1 PULLEY, MANDREL	30..	539 107630....	4 SCREW ⁵ / ₁₆ -18 WASHER HD
5..	532 175820....	1 PULLEY, IDLER	31..	539 107631....	2 SCREW ¹ / ₄ -20 x ⁵ / ₈ THDROLL
6..	539 110311....	1 PULLEY, DECK IDLER	32..	539 990701....	1 BOLT ³ / ₈ -16 x 1 ³ / ₄ WHIZLK
7..	532 400140....	1 KEEPER, BELT	33..	539 113621....	2 BOLT ³ / ₈ -16 x ³ / ₈ SKT HD
8..	529 311701....	2 KEEPER, BELT	34..	539 110025....	1 BOLT ³ / ₈ -16 x 1 ¹ / ₂ THD FRM
9..	525 851801....	1 GUIDE, BELT	35..	539 108461....	1 BOLT ¹ / ₄ -20 x ¹ / ₂ HWST
10..	574 172804....	1 ARM, IDLER	36..	532 193003....	1 BOLT/WASHER
11..	573 970402....	1 COVER, PULLEY	37..	539 990588....	1 HCS ³ / ₈ -16 x 2
12..	529 311801....	1 ARM, LH BRAKE	38..	525 848601....	1 RHSNB ³ / ₈ -16 x 4
13..	539 114789....	1 SWIVEL	39..	539 990799....	2 RHSNB ⁵ / ₁₆ -18 x ⁵ / ₈
14..	539 112050....	1 BEARING, BALL	40..	539 109332....	1 NUT ³ / ₈ -16 HEX JAM
15..	532 192557....	1 BRACKET, DEFLECTOR	41..	573 975201....	1 NUT ⁷ / ₁₆ -20 HEX NYLOC
16..	532 195740....	1 LINK, SUSPENSION	42..	539 107590....	1 NUT ⁹ / ₁₆ TOP CNTRLK
17..	532 199092....	1 SPACER RETAINER	43..	539 112899....	2 NUT ⁵ / ₁₆ -18 FLANGE NYLOC
18..	525 848801....	1 SPACER 2 ¹ / ₄	44..	521 996501....	5 NUT ³ / ₈ -16 FLANGE NYLOC
19..	532 401872....	1 SPRING, RETURN	45..	539 990122....	1 WASHER ³ / ₈ FLAT SAE
20..	539 107609....	1 SPRING, TORSION	46..	539 107520....	1 WASHER/SPACER
21..	539 112057....	1 MANDREL	47..	539 109562....	1 WASHER ³ / ₈ x ³ / ₄
22..	532 417344....	1 CHUTE, DISCHARGE	48..	539 990250....	1 WASHER ¹ / ₂ SAE
23..	539 110736....	1 PIN, CLEVIS ⁵ / ₁₆	49..	539 106504....	1 WASHER 1 ³ / ₄ x ¹ / ₄ HEAVY
24..	532 173902....	1 IDLER, V-GROOVE	50..	539 990517....	2 WASHER ³ / ₈ FLAT STD
25..	532 195185....	2 ARM, DECK SUSPENSION	51..	539 104864....	2 WASHER ⁷ / ₁₆ FLAT
26..	532 416405....	1 COUPLING, QUICK DISC				

SEAT

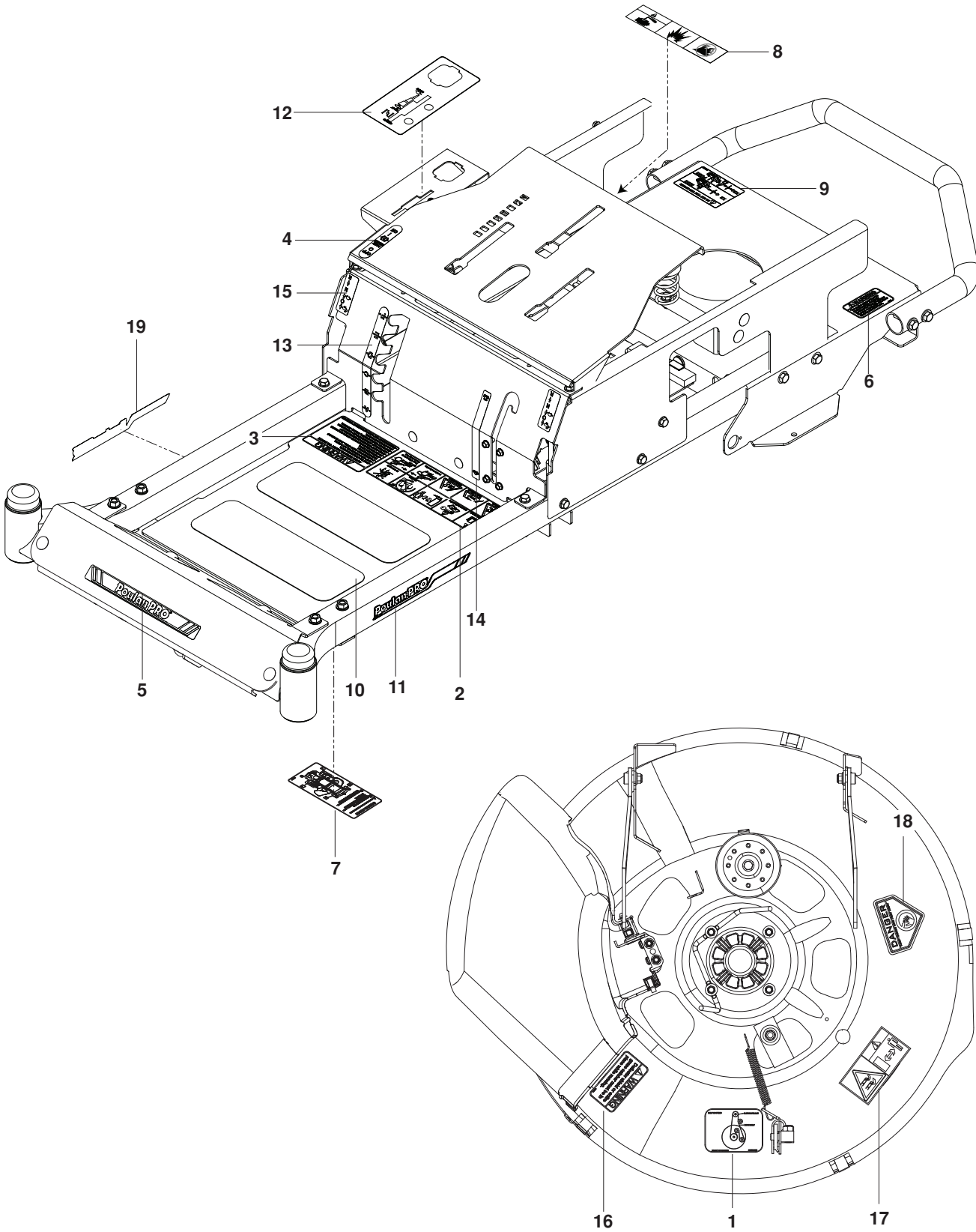


SEAT

ITEM	PART NO.	QTY.	DESCRIPTION
1..	522 598901....	1	SEAT
2..	539 132140....	1	SWITCH, SEAT N/C
3..	525 580005....	1	PLATE, SEAT YLW
4..	574 191002....	1	STOP, SEAT BLK
5..	532 197661....	1	HANDLE, SEAT SLIDE

ITEM	PART NO.	QTY.	DESCRIPTION
6..	532 198200....	1	SPRING, SEAT SLIDE
7..	539 110303....	2	BOLT, ⁵ / ₁₆ -SHOULDER
8..	539 108503....	3	HCS ³ / ₈ -16 x ⁵ / ₈
9..	539 112899....	2	NUT ⁵ / ₁₆ -18 FLANGE NYLOC

DECALS



DECALS

ITEM	PART NO.	QTY.	DESCRIPTION	ITEM	PART NO.	QTY.	DESCRIPTION
1..	525 798501....	1	DECAL, BELT ROUTING	11..	575 934802....	1	DECAL, POULAN LT
2..	539 109908....	1	DECAL, SAFETY GRAPHICS	12..	576 967501....	1	DECAL, CONTROL PANEL
3..	539 113213....	1	DECAL, WARNINGS	13..	525 814201....	1	DECAL, DECK HEIGHT
4..	539 120006....	1	DECAL, PARK BRAKE	14..	525 814301....	1	DECAL, BLADE ENGAGE
5..	575 934701....	1	DECAL, POULAN FRT	15..	575 927201....	2	DECAL, MOTION CONTROL
6..	539 101881....	1	DECAL, EXHAUST WARN	16..	539 113224....	1	DECAL, DEFLECT CAUTION
7..	539 109897....	1	DECAL, SERVICE	17..	539 105746....	1	DECAL, SEVERING
8..	539 105745....	1	DECAL, BATTERY WARNING	18..	539 913010....	1	DECAL, BLADE WARN
9..	539 108385....	1	DECAL, DO NOT TOW	19..	575 934801....	1	DECAL, POULAN RT
10..	539 977778....	2	PAD, ABRASIVE				

